

FULL-HEIGHT TURNSTILE SESAME BASIC

Full-height turnstile Sesame Basic – is a light version of Sesame turnstile. It is featured by easy-to-install construction and small packing for transportation. Despite of this, turnstile mechanism and manufacturing materials provide same reliability and low maintenance work.



 20
pers/min
CROSSING CAPACITY

 649
mm
PASSAGE WIDTH

LIGHT WEIGHT, EASY INSTALLATION, CONVENIENT TRANSPORTATION

Controlled by:

- access control system;
 - manual control
- When power goes OFF both directions are closed.

To be delivered additionally:

- manual unlocking in case of unavailable power;
- readers for access control system;
- remote radio controller;
- backup battery 12 V, 7 A•h;
- protective canopy

Electrical Specifications:

- Voltage:
 - from the AC (100-240)V, 50/60Hz;
 - from a DC source 12 V
- Maximum power consumption per pass: indoor 55 W; outdoor 155 W;
- Degree of protection according to GOST 14254-96: indoor IP41; outdoor IP54;
- Maximum power consumption:
 - Without servo: in 100 W; out 500 W;
 - Servo - in 300 W; out 700 W

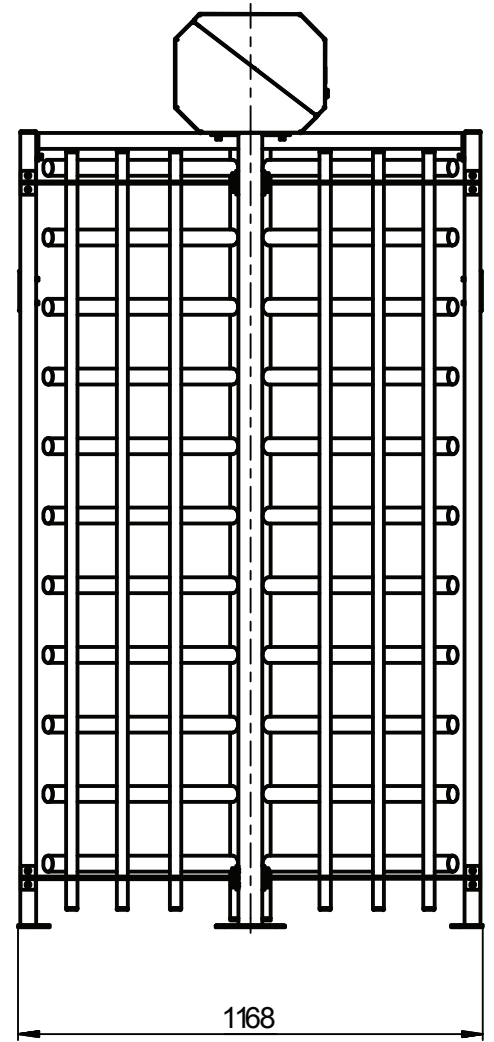
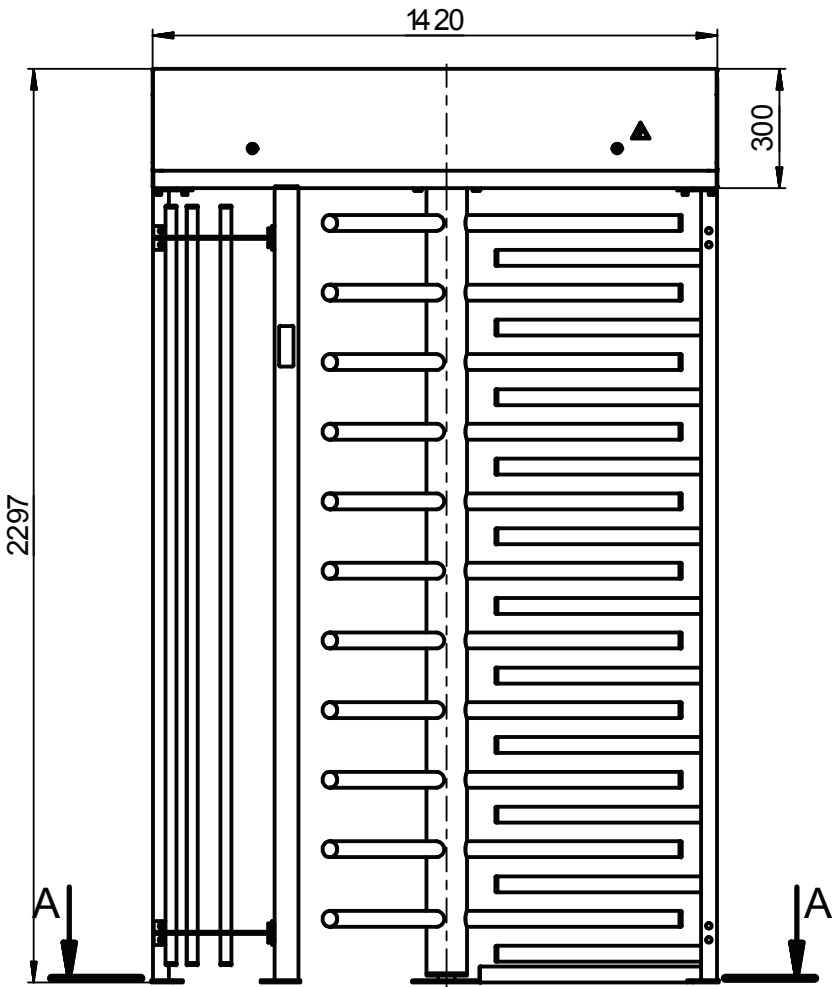
Technical Specifications:

Length	1420 mm
Width	1179 mm
Height	2297 mm
Weight, not more	168 kg

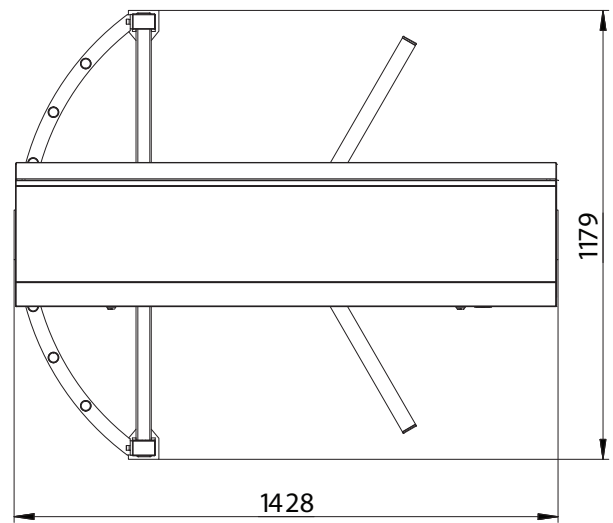
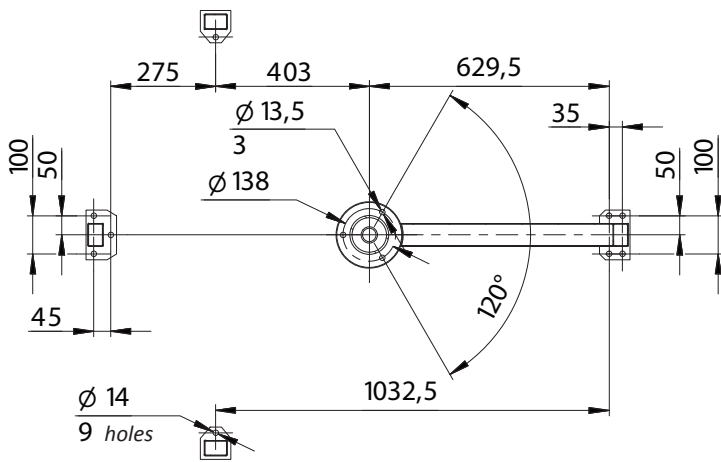


www.tiso.global
+380 (44) 291-21-11
e-mail: export@tiso.ua





F-F (1 : 15)



www.tiso.global
 +380 (44) 291-21-11
 e-mail: export@tiso.ua

